



Features & Options

- Detects Most Modern Refrigerants
- Area Monitoring for Leaks and Spills
- Provides a Voltage Output
- Cost Effective

The BAPI Refrigerant Leak Detector is an area monitor that detects a wide range of refrigerants. It is not intended for critical ppm measurements nor life safety applications. The sensor is temperature compensated for improved detection of leaks and spills. The output voltage increases as the concentration of the refrigerant increases in the space.



Refrigerant Leak Detector in a BAPI-Box Enclosure

ORDERING INFORMATION

BA/RLD Refrigerant Leak Detector in a Blue BAPI-Box Enclosure

BA/RLD-W Refrigerant Leak Detector in a White BAPI-Box Enclosure

BA/RLD-EL Replacement Element

Gray shaded items follow the Buy and Resale Multiplier.

Specifications

Power:

9 to 40 VDC at 120 mA max
19 to 32 VAC at 5 VA

Output Impedance: 680 Ohms

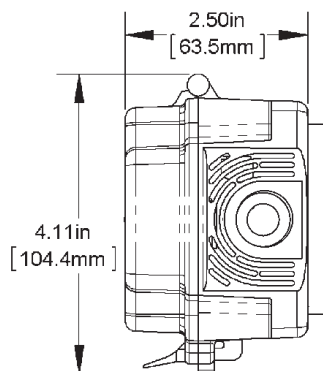
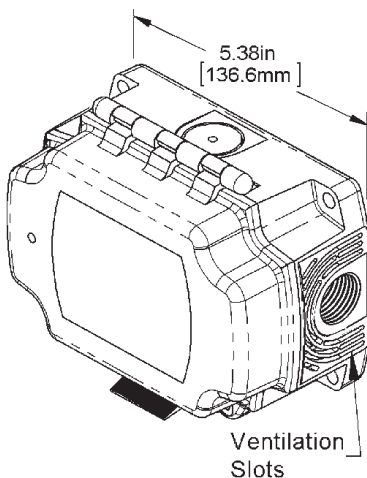
Output Voltage: 0 to 4.8 VDC

Ambient Temp: 32 to 140°F (0 to 60°C)

Sensor Element Life: 2 Years Typical

Warranty: 2 Years

Refrigerants Detected by the Sensor		
Single Compound	Blends	
R-22 (A1)	R-404a (A1)	R-452a (A1)
R-32 (A2L)	R-407c (A1)	R-452b (A2L)
R-125 (A1)	R-407f (A1)	R-454a (A2L)
R-134a (A1)	R-410a (A1)	R-454b (A2L)
R-1234yf (A2L)	R-424a (A1)	R-454c (A2L)
R-1234ze (A2L)	R-434a (A1)	R-455a (A2L)
	R-447a (A2L)	R-466a (A1)
	R-448a (A1)	R-507 (A1)
	R-449a (A1)	R-513a (A1)
	R-450a (A1)	



Note: For a more complete list of detectable refrigerants, go to Resources on BAPI's website and view the Application Note "Refrigerants detected by the BAPI Refrigerant Leak Detector".

