

ERGUO S1 GRABO ATTACHMENT

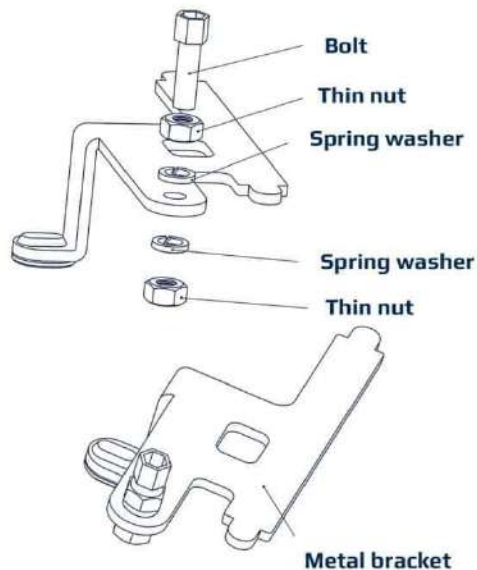
HOW TO INSTALL A LONG REACH ARM EXTENSION TO CREATE A GRABO LIFTING SYSTEM

Each long reach arm extension set should contain:

- 1 metal bracket
- 1 bolt
- 1 bolt with a hole
- 2 nuts
- 2 spring washers
- 1 threading screw
- 1 flat washer
- 1 thick nut
- 1 long reach arm extension (black frame)
- 1 cable and cable housing connected to a handle lever

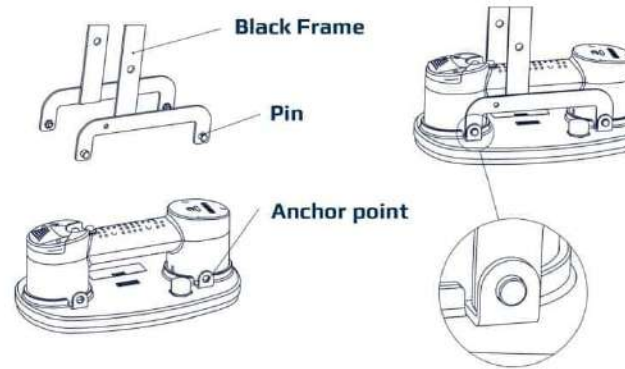
STEP 1 PREPARE THE METAL BRACKET MOUNTING ONTO THE BODY OF THE GRABO TOOL

- Screw the nut onto the bolt in a clock-wise direction until it reaches the head of the bolt.
- Then slide the washer onto the bolt so it sits next to the spinning nut.
- Insert the bolt into the hole of the metal bracket.
- Add another washer; then add a spinning nut onto the bolt; tighten it with a spanner or a wrench.



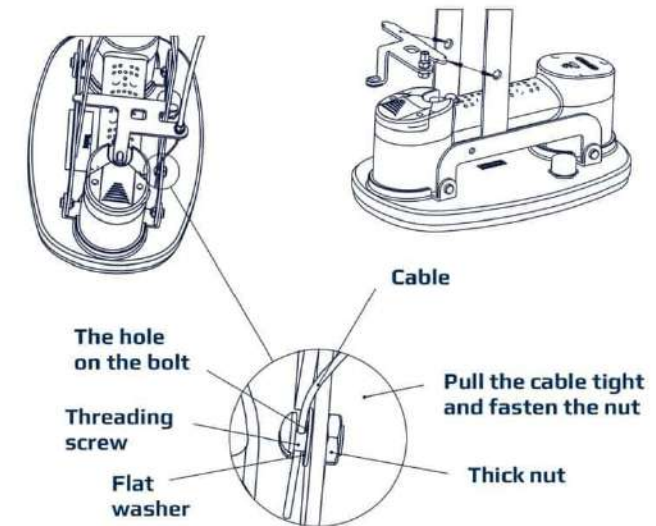
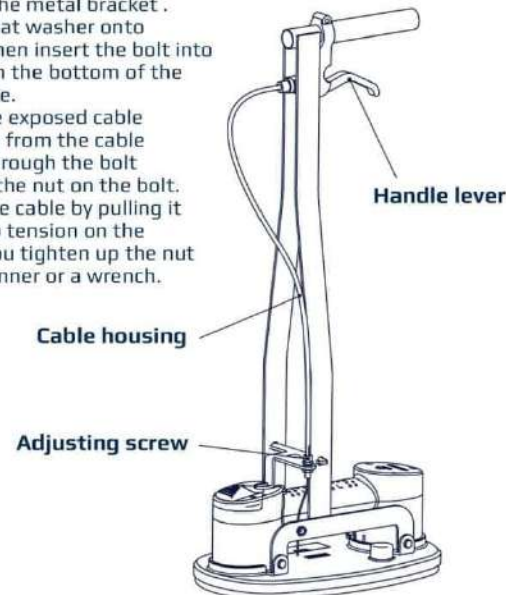
STEP 2 ATTACH THE LONG REACH ARM EXTENSION (BLACK FRAME) TO THE BODY OF THE GRABO TOOL

- Separate the two twin connecting arms of the black frame.
- Slot the four metal pins on the black frame into GRABO's anchor points.



STEP 3 CONNECT THE METAL BRACKET TO THE LONG REACH ARM EXTENSION (BLACK FRAME)

- Place the metal bracket between the two twin connecting arms (of the black frame);
- Insert the two ends of the metal bracket into the two holes located in the middle of the black frame.
- Wiggle the black frame to check it is securely locked in.
- Insert one end of the cable housing into the handle lever and the other end of the cable housing into the adjusting screw on the metal bracket.
- Slide the flat washer onto the bolt, then insert the bolt into the hole on the bottom of the black frame.
- Thread the exposed cable protruding from the cable housing through the bolt and place the nut on the bolt.
- Tighten the cable by pulling it tight, keep tension on the cable as you tighten up the nut with a spanner or a wrench.



STEP 4 OPERATING THE GRABO WITH THE ERGUO S1, LONG REACH ARM EXTENSION

- Slide the power switch to the ON position. The power indicator below the power switch lights up to show you the amount of charge you have available. The power indicator will flash if the battery is low and needs to be charged before the GRABO can be used.

Caution: Using the GRABO while the battery is low may result in injury and damage to the materials being lifted.

- Lift the handle of the ErGuo S1, long reach arm extension and position the GRABO flush against the surface of the material you want to lift.
- Press the green button to turn ON the motor to create a seal to the surface of the material you want to lift. The seal is created within seconds.
- When lifting smooth materials such as glass, smooth tiles, and marble, you can press the green button again to switch OFF the motor once the seal is created, and the suction will remain for a maximum of one hour.
- When lifting slightly porous materials such as wood, timber, drywall, concrete, or cardboard, ensure the GRABO motor remains on while lifting.

Caution: Do not press the handle lever when lifting material to avoid the material from falling. Pressing the handle lever will release the material.

- When you are done, press the handle lever to break the seal and release the material.